

SL 20 SDUCR P



MAQ AB

www.maqab.com | info@maqab.com

Order product here

Dimensions

More technical data on page 2

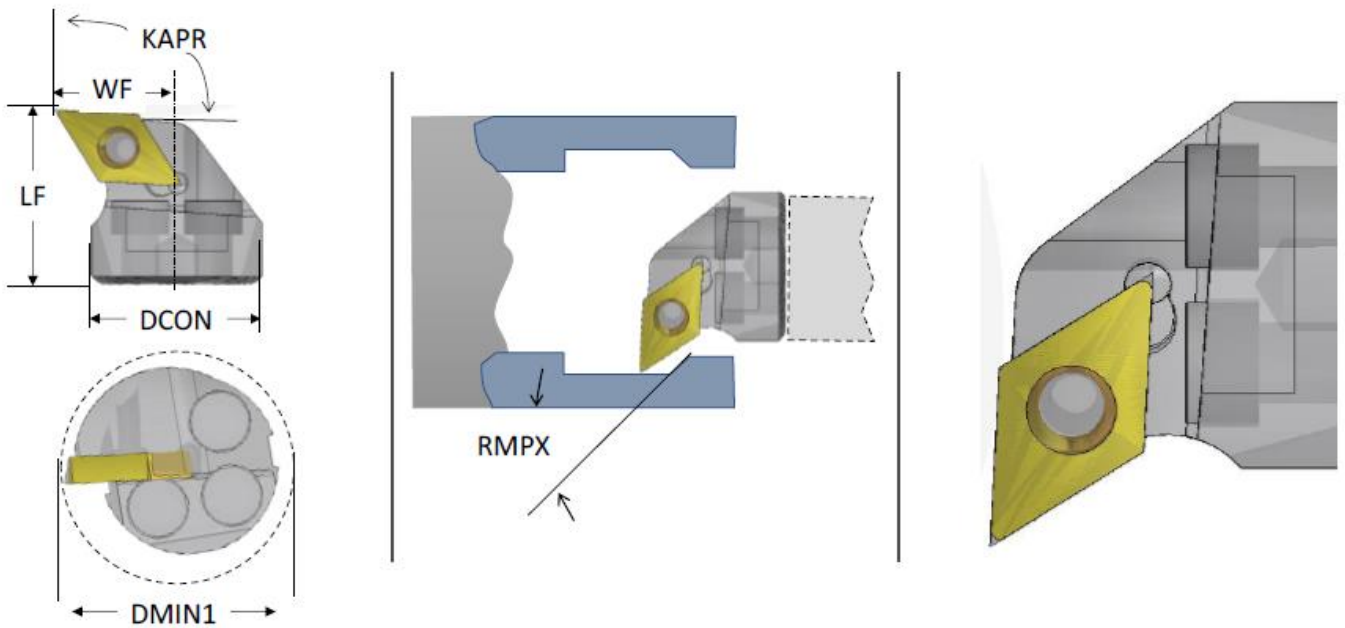
Description:

SDUCR Cutter head

Supplied with:

- Insert
- Insert key
- Insert screw

End effecters for SL adapters SDUCR:



[Download Step file](#)

 STEP

Technical data

DCON (mm)	SL 20
DMIN1 (mm)	25
LF (mm)	20
WF (mm)	13
KAPR (°)	93
RMPX (°)	27
HAND	R
Master Insert	DCMT 11T304
Weight (kg)	0.02
Coolant exit form	2C - periphery