

# SL40 SDUCR P



MAQ AB

[www.maqab.com](http://www.maqab.com) | [info@maqab.com](mailto:info@maqab.com)

Order product here

# Dimensions

More technical data on page 2

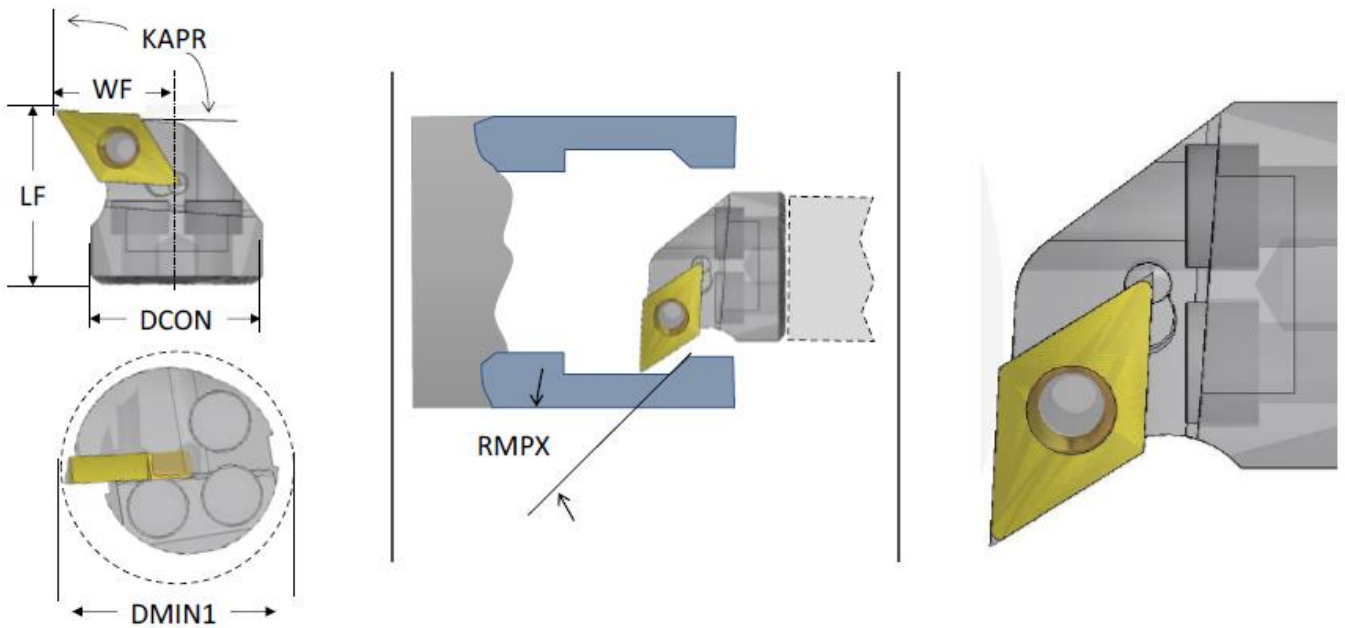
## Description:

SDUCR Cutter head

## Supplied with:

- Insert
- Insert key
- Insert screw

End effecters for SL adapters SDUCR:



[Download Step file](#)

 STEP

## Technical data

DCON (mm)	SL 40
DMIN1 (mm)	50
LF (mm)	32
WF (mm)	27
KAPR (°)	93
RMPX (°)	27
HAND	R
Master Insert	DCMT 11T304
Weight (kg)	0.14
Coolant exit form	2C - periphery