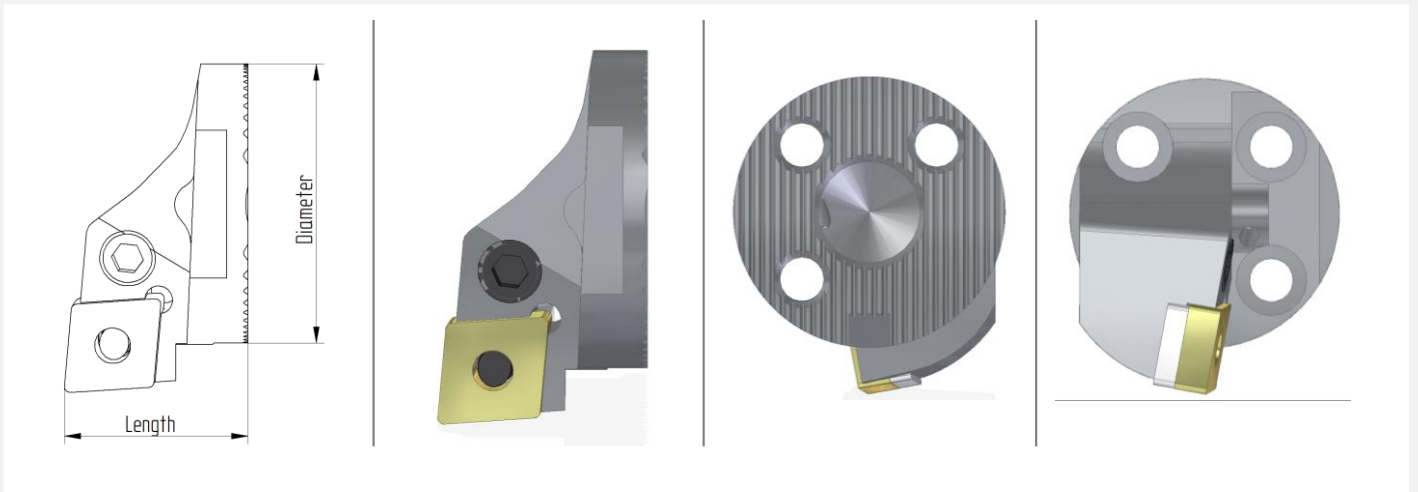


SL40 PCLNR CP

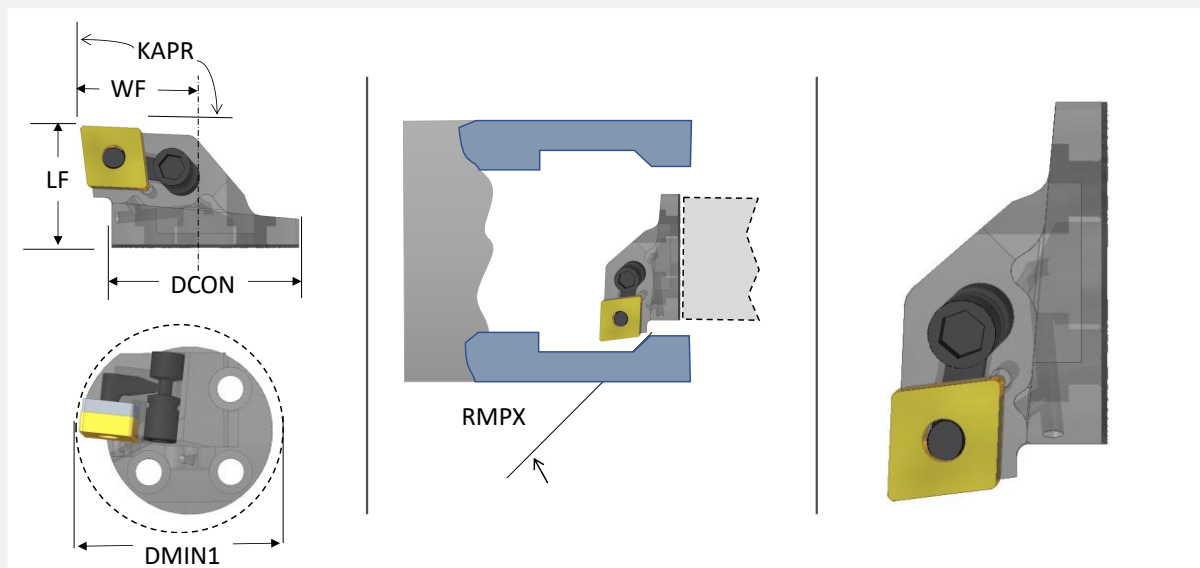
Cutter heads with SL40 interface



Dimensions

More technical data on page 2

Fits on 1 ½ inch bars.



Technical data

DCON (mm)	SL 40
DMIN1 (mm)	50
LF (mm)	26
WF (mm)	27
KAPR (°)	95
RMPX (°)	NA
HAND	R
Master Insert	CNMG120404
Slot screw	M8x1x21
Level	LV4-
Shim	PS CNMG 1204
Weight (kg)	0.14

Coolant exit form

CP – central
periphery

All cutter heads are delivered with the insert clamp screw, lever

1 Central and Peripheral coolant exits, works with SL40 connection with both 1C and 3C

Download drawing:

STEP

DWG